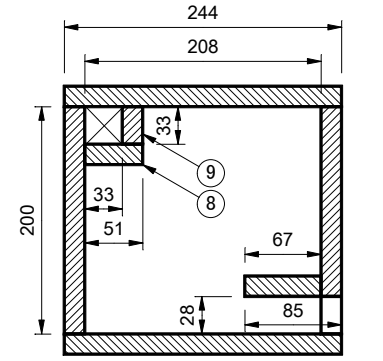
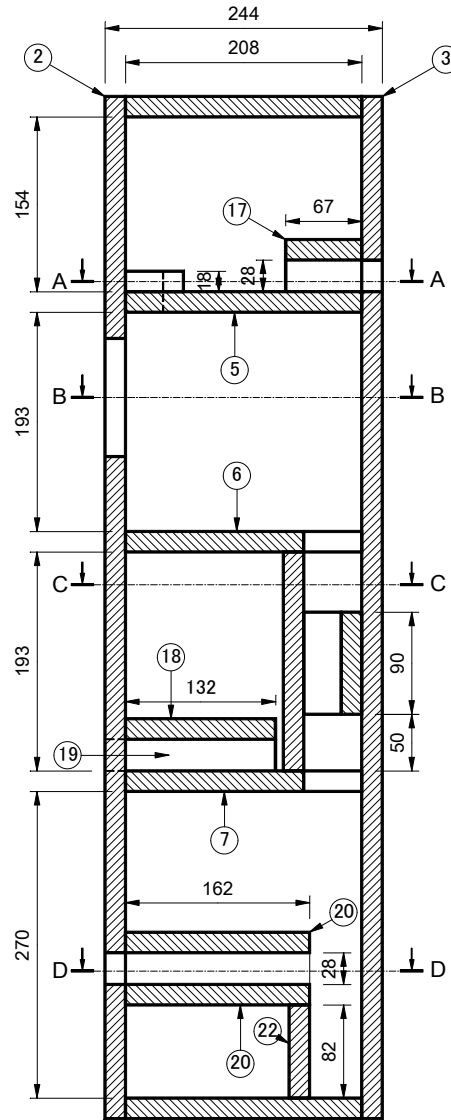
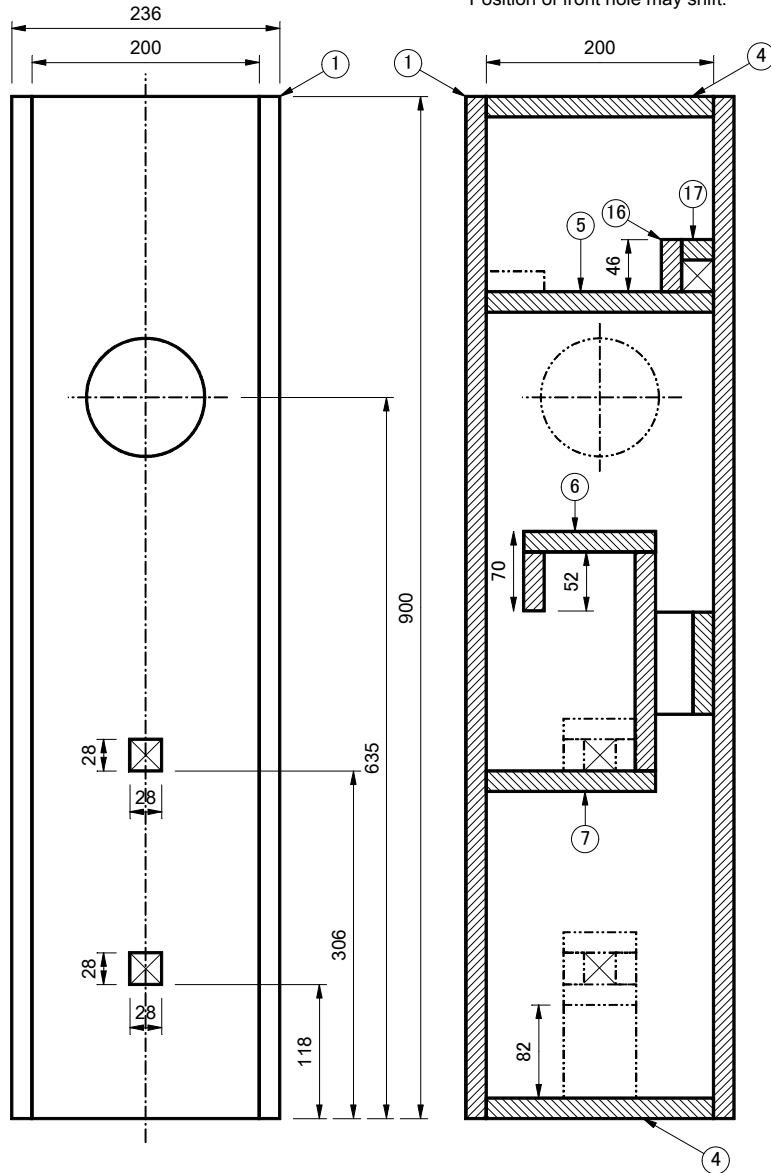


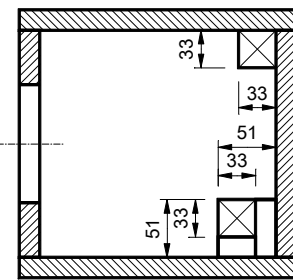
Model TR120b2

Notes:

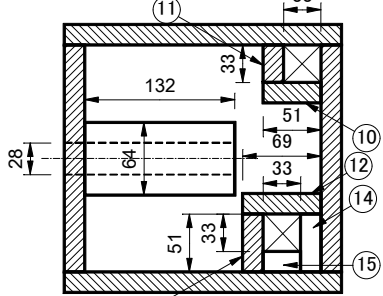
Thickness of plate is assumed 18mm
 Diameter of front hole depends on driver
 Hole(s) for terminal needs to be taken care
 4.5" - 5" drivers are suggested to apply
 Position of front hole may shift.



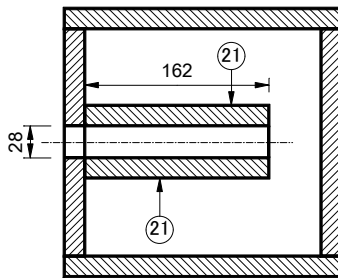
Section AA



Section BB



Section CC



Section DD